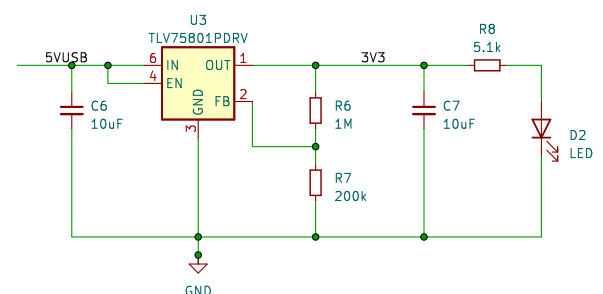
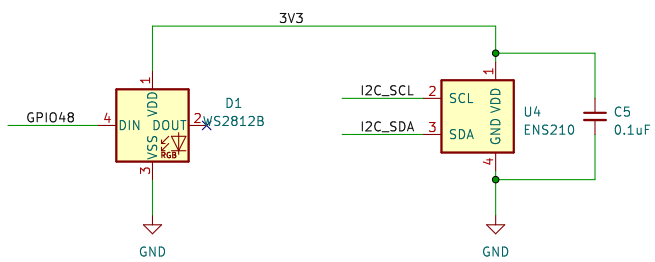
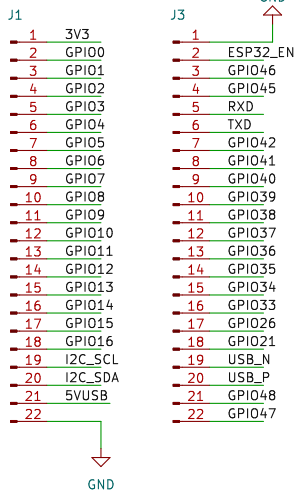
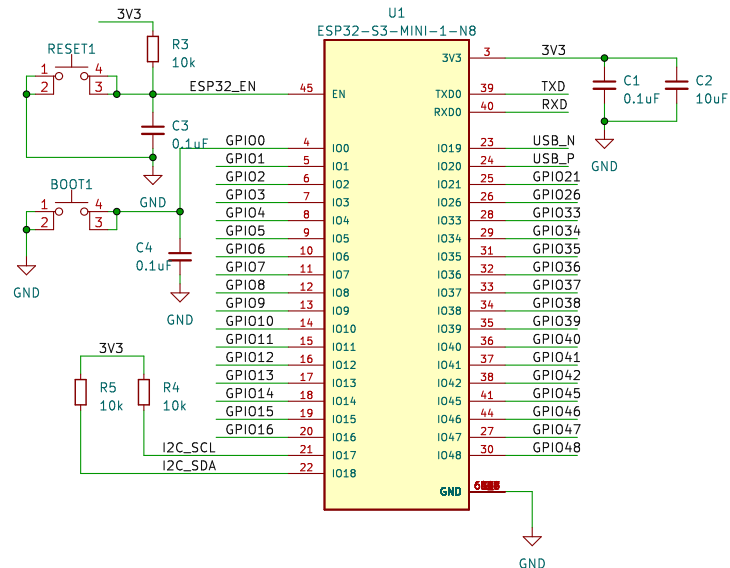
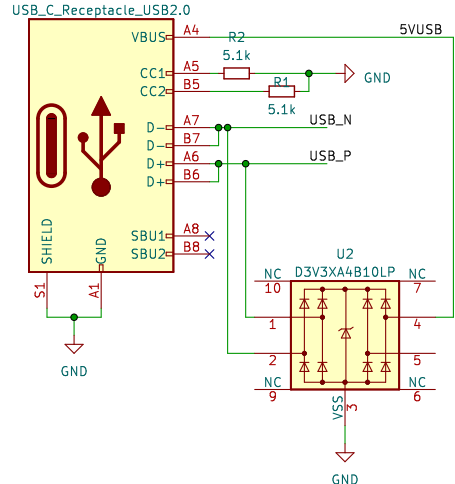


JUSB1
USB_C_Receptacle_USB2.0



Sheet: /
File: DesignESP32PCB.kicad_sch
Title:
Size: A4 Date: Rev:
KiCad E.D.A. eeschema 7.0.2 Id: 1/1